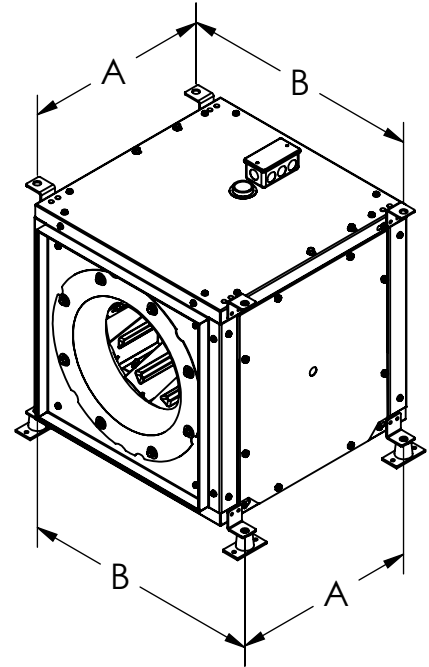
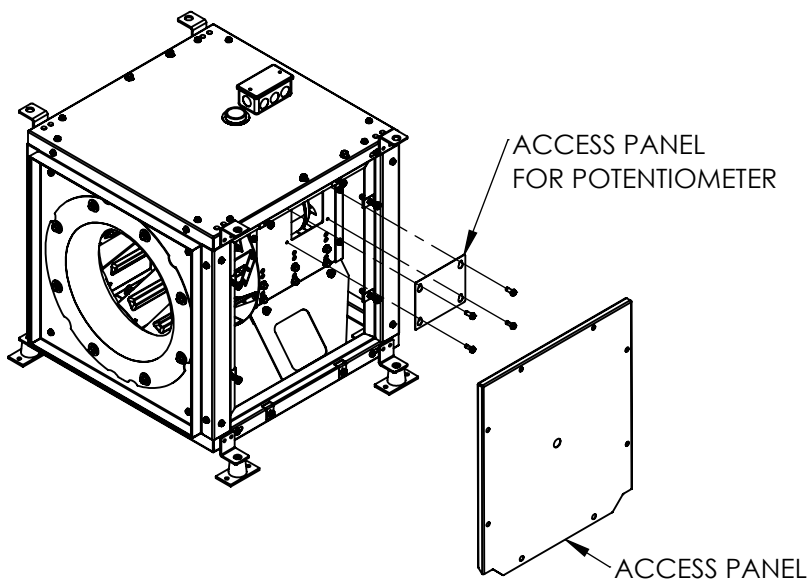


DIRECT DRIVE HORIZONTAL/VERTICAL HANGING OR BASE MOUNT

DIRECT DRIVE MOUNTING DIMENSIONS				
Product Size	A	B	C	D
100	13 2/7	17 3/8	17 3/8	14
122	17	20 4/5	20 4/5	17
135	17 1/2	23	23	19 1/5
150	20	25 1/3	25 1/3	21 5/9
165	22 1/3	28	28	23 7/8
182	24 1/2	30 2/7	30 2/7	26 1/2
200	26 8/9	33	33	29 1/6
222	30 1/3	36 1/7	36 1/7	32 1/3
245	33 5/7	38 2/5	38 2/5	34 3/5
270	36 1/2	42 4/7	42 4/7	37 7/9
300	41 1/8	46 8/9	46 8/9	42 1/9
330	45 2/3	51 2/5	51 2/5	46 4/7
365	51	56 2/5	56 2/5	51 4/7

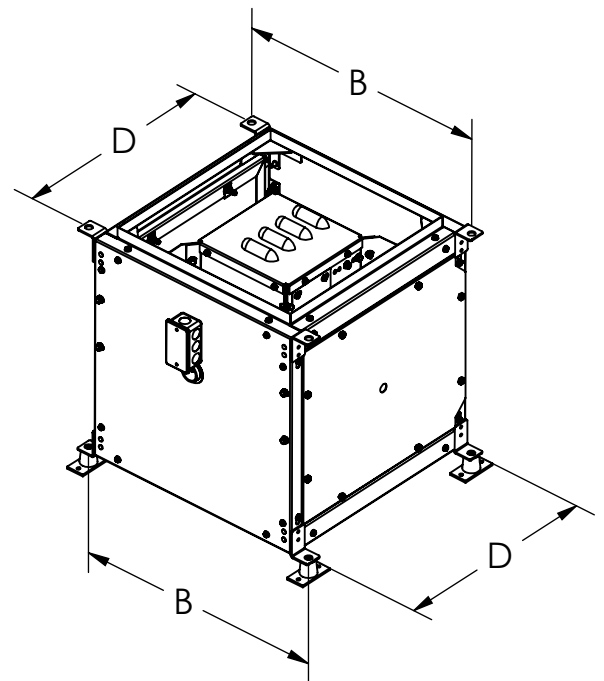


DIRECT DRIVE HORIZONTAL HANGING OR BASE MOUNT



NOTE :
 SIZE 100-165 : "ACCESS PANEL FOR POTENTIOMETER ADJUSTMENT"

ALL DIMENSIONS ARE IN INCHES



DIRECT DRIVE VERTICAL HANGING OR BASE MOUNT